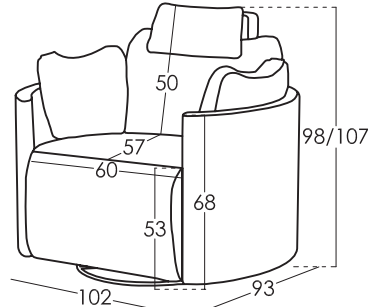


# MOONRISE POWERLIFT

TECHNICAL DETAILS | RV001 | EN

fama



## Measures

Width:	102cm
Height:	107cm
Depth:	93cm
Seat height:	53cm
Arm height:	68cm
Back height:	50cm
Depth open:	152cm

## Technical information

Frame:	Frame of pine wood and MDF
Seat suspension:	N.E.A
Back suspension:	Webbing 80mm
Seat firmness:	Medium Foam (white)
Seat foam:	Fibre + Polyurethane 35kg
Back cushions:	Fibersilk 100%
Loose cushions:	Fibersilk 100%
Removable cover:	Seat, back and scatters

## Guarantee

Frame and seat suspension:	lifetime warranty
Rest of pieces:	3 years*
*6-month guaranty extension by activating it on the web	

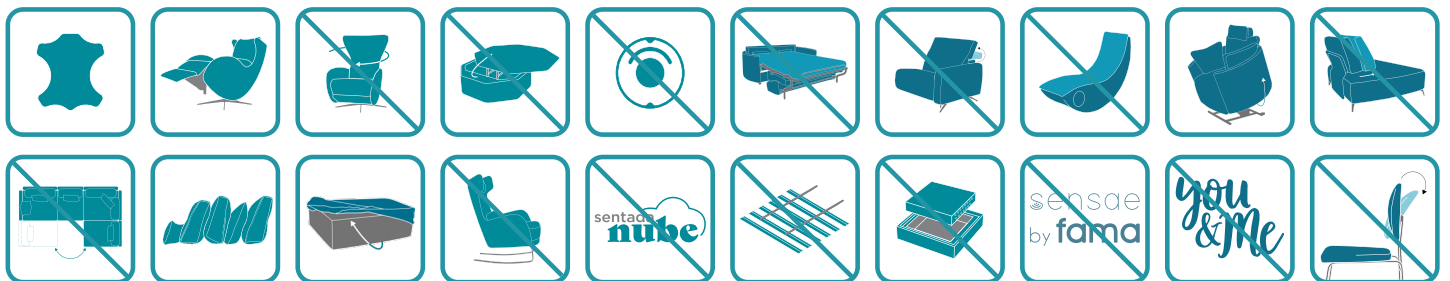
## Packaging

Composed of shrink-wrapped plastic and protective corner protectors. The packaging was created at the same time as the design, optimising it so that it is easy to transport and takes up as little space as possible, avoiding the unnecessary use of packaging material.

## Sustainability

Responsible design, minimising the impact of industrial activity. Our factory recycles 99.9% of the waste, obtaining the "Zero Waste" certificate from AENOR. Our products are free of PFCs.

## Options



Moonrise Powerlift is manufactured by Fama Sofas, whose quality system is certified by AENOR and IQNET according to the ISO 9001-2015 standards, with the certificate number ES-0790/1999. In addition to the Environmental Management Certificate according to ISO 14001-2019. All models have passed the tests required for granting the quality control label from Aidima-Cetem laboratories.



ISO 9001



ER-0790/1999



ISO 14001



Compromiso con el Desarrollo Sostenible



FAMA SOFAS S.L.U.

C/ Dr. Barraquer | Roviral, 1 - P.O.Box 41

30510 YECLA ( Murcia ) SPAIN

Telf: 968751050 / info@fama.es / www.fama.es